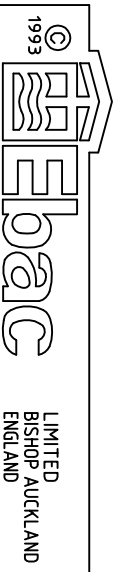
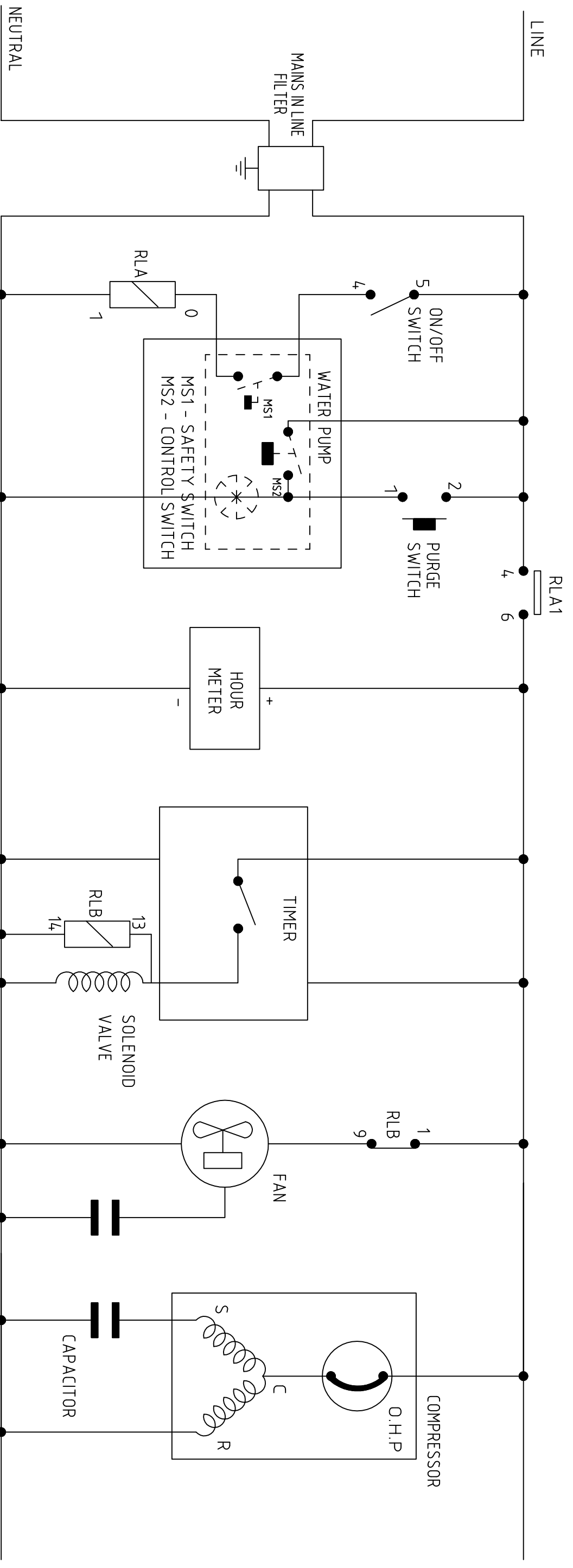


ISSUE	DATE	AMENDMENTS
1	14/05/13	ORIGINAL
2	13/12/13	MAINS FILTER ADDED - WDA



TITLE  
RM85 - WIRING SCHEMATIC - UK/EU

3RD ANGLE PROJECTION DO NOT SCALE IF IN DOUBT ASK	DIMENSIONS IN m.m. TOLERANCES UNLESS OTHERWISE STATED	MATERIAL	DRAWN : W DAGLISH	SHEET 1 OF 1
0 0.00 ANGULAR ± 0.5 DEGREE	+ 1 ± 0.25 ± 0.05	FINISH	CAD SCALE : N/A	
			DRG.NO. 5020364	